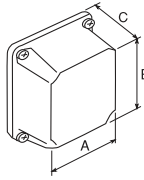
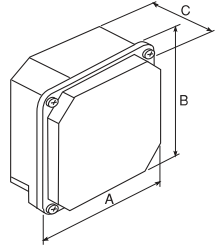
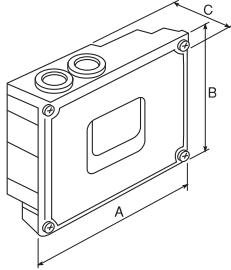
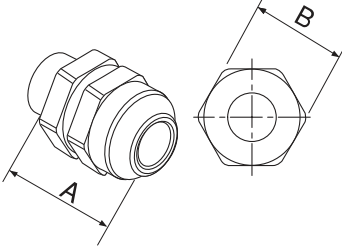


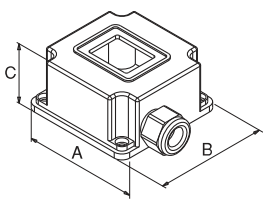
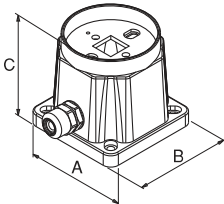
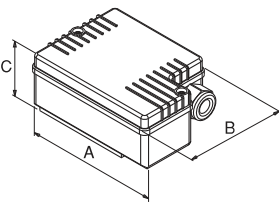
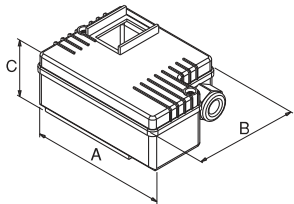
Coprimorsetteria e - Pressacavi

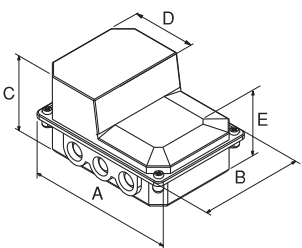
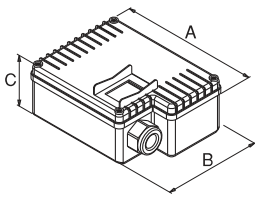
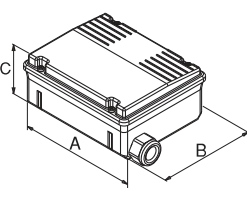
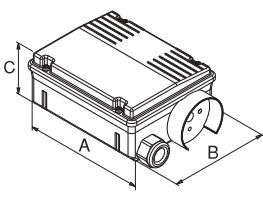
Terminal Box and - Cable inlet

Cache-Bornier et - Presse-étope

Klemmkasten und - Kabelanschlüsse

MATERIALE AL	MATERIALE AL	MATERIALE AL	MATERIALE A.B.S.																	
				<table border="1"> <thead> <tr> <th></th> <th>A</th> <th>B</th> </tr> </thead> <tbody> <tr> <td>P.M. 16</td> <td>24</td> <td>19</td> </tr> <tr> <td>P.M. 20</td> <td>29</td> <td>24</td> </tr> <tr> <td>P.M. 25</td> <td>32</td> <td>27</td> </tr> <tr> <td>P.M. 32</td> <td>40</td> <td>42</td> </tr> </tbody> </table>		A	B	P.M. 16	24	19	P.M. 20	29	24	P.M. 25	32	27	P.M. 32	40	42	
	A	B																		
P.M. 16	24	19																		
P.M. 20	29	24																		
P.M. 25	32	27																		
P.M. 32	40	42																		
Coprimorsetteria IP 55 Terminal box IP 55 Couvercle de bornier IP 55 Klemmkasten IP 55	Coprimorsetteria IP 65 Terminal box IP 65 Cache-bornier IP 65 Klemmkasten IP 65	Coprimorsetteria IP 65 (doppia morsettiere) Terminal box IP 65 (double terminal board) Cache-bornier IP 65 (double bornier) Klemmkasten IP 65 (doppeltes Klemmbrett)	Grandezza motore Motor size Tailles moteur Motor baugröße	Pressacavo antistrappo serie MEC Pull-resistant cable camp MEC series Presse-fil antidéchirure MEC type Reißsichere MEC-Kabeltülle type Metrico	Ø Cavo mm Ø Cable mm Ø Fil en mm Ø Kabel mm (min/max)															
Type MEC 50 A=mm 64 - B=mm 64 - C=mm 30	Type MEC 56/71 A=mm 92 - B=mm 92 - C=mm 47	Type MEC 56/71 A=mm 136 - B=mm 92 - C=mm 41	M50	P. M. 16	3-8															
Type MEC 56/71 A=mm 71 - B=mm 71 - C=mm 34	Type MEC 80/112 A=mm 115 - B=mm 115 - C=mm 58	Type MEC 56/71 A=mm 206 - B=mm 132 - C=mm 60	M56-71	P. M. 20	4-13															
Type MEC 80/112 A=mm 89 - B=mm 89 - C=mm 47	Type MEC 132 A=mm 124 - B=mm 124 - C=mm 63	Type MEC 80/112 A=mm 153 - B=mm 108 - C=mm 46	M80-112	P. M. 20 (M. 25)	4-13 (5-15)															
	Type MEC 160 A=mm 185 - B=mm 185 - C=mm 73	Type MEC 80/112 A=mm 206 - B=mm 132 - C=mm 60	M132-160	P. M. 32	13-25															
		Type MEC 132 A=mm 206 - B=mm 132 - C=mm 60																		

Portainterruttore a bilanciere Flip switch holder Porte-interrupteur à bascule Kippschaltergehäuse	Portainterruttore rotativo Rotary switch holder Porte-interrupteur rotatif Drehschaltergehäuse	Portacondensatore Capacitor holder Porte-condensateur Kondensatorgehäuse	Portacond. - Portaint. a bilanciere Capacitor/Flip switch holder Porte-cond. Porte-interrupteur à bascule Kondensator-/Kippschaltergehäuse																																																
MATERIALE ABS IP44	MATERIALE ABS IP44	MATERIALE ABS IP55	MATERIALE ABS IP44																																																
																																																			
56÷71 cod.323023222	56÷71 cod.3432001 80÷112 cod.3432002	56÷71 cod.323002200	56÷71 cod.323002201																																																
<table border="1"> <thead> <tr> <th>SIZE</th> <th>A</th> <th>B</th> <th>C</th> </tr> </thead> <tbody> <tr> <td>56÷71</td> <td>74</td> <td>74</td> <td>36</td> </tr> <tr> <td>80÷112</td> <td>-</td> <td>-</td> <td>-</td> </tr> </tbody> </table>	SIZE	A	B	C	56÷71	74	74	36	80÷112	-	-	-	<table border="1"> <thead> <tr> <th>SIZE</th> <th>A</th> <th>B</th> <th>C</th> </tr> </thead> <tbody> <tr> <td>56÷71</td> <td>76</td> <td>76</td> <td>72</td> </tr> <tr> <td>80÷112</td> <td>86</td> <td>86</td> <td>80</td> </tr> </tbody> </table>	SIZE	A	B	C	56÷71	76	76	72	80÷112	86	86	80	<table border="1"> <thead> <tr> <th>SIZE</th> <th>A</th> <th>B</th> <th>C</th> </tr> </thead> <tbody> <tr> <td>56÷71</td> <td>116</td> <td>86</td> <td>50</td> </tr> <tr> <td>80÷112</td> <td>-</td> <td>-</td> <td>-</td> </tr> </tbody> </table>	SIZE	A	B	C	56÷71	116	86	50	80÷112	-	-	-	<table border="1"> <thead> <tr> <th>SIZE</th> <th>A</th> <th>B</th> <th>C</th> </tr> </thead> <tbody> <tr> <td>56÷71</td> <td>116</td> <td>86</td> <td>50</td> </tr> <tr> <td>80÷112</td> <td>-</td> <td>-</td> <td>-</td> </tr> </tbody> </table>	SIZE	A	B	C	56÷71	116	86	50	80÷112	-	-	-
SIZE	A	B	C																																																
56÷71	74	74	36																																																
80÷112	-	-	-																																																
SIZE	A	B	C																																																
56÷71	76	76	72																																																
80÷112	86	86	80																																																
SIZE	A	B	C																																																
56÷71	116	86	50																																																
80÷112	-	-	-																																																
SIZE	A	B	C																																																
56÷71	116	86	50																																																
80÷112	-	-	-																																																

Portacondensatore Capacitor holder Porte-condensateur Kondensatorgehäuse	Portacond. - Portaint. a bilanciere Capacitor/Flip switch holder Porte-cond. Porte-interrupteur à bascule Kondensator-/Kippschaltergehäuse	Portacondensatore Capacitor holder Porte-condensateur Kondensatorgehäuse	Portacond. - Portaint. rotativo Capacitor/Rotary switch holder Porte-cond. Porte-interrupteur rotatif Kondensator-/Drehschaltergehäuse																																																						
MATERIALE AL IP55	MATERIALE ABS IP44	MATERIALE ABS IP55	MATERIALE ABS IP44 o IP55																																																						
																																																									
	80÷112 cod.323002205	56÷71 cod.34300045 80÷112 cod.3430005	56÷71 cod.3430007 80÷112 cod.3430006																																																						
<table border="1"> <thead> <tr> <th>SIZE</th> <th>A</th> <th>B</th> <th>C</th> <th>D</th> <th>E</th> </tr> </thead> <tbody> <tr> <td>56÷71</td> <td>155</td> <td>112</td> <td>89</td> <td>75</td> <td>57</td> </tr> <tr> <td>80÷112</td> <td>155</td> <td>112</td> <td>89</td> <td>75</td> <td>57</td> </tr> </tbody> </table>	SIZE	A	B	C	D	E	56÷71	155	112	89	75	57	80÷112	155	112	89	75	57	<table border="1"> <thead> <tr> <th>SIZE</th> <th>A</th> <th>B</th> <th>C</th> </tr> </thead> <tbody> <tr> <td>56÷71</td> <td>-</td> <td>-</td> <td>-</td> </tr> <tr> <td>80÷112</td> <td>140</td> <td>110</td> <td>60</td> </tr> </tbody> </table>	SIZE	A	B	C	56÷71	-	-	-	80÷112	140	110	60	<table border="1"> <thead> <tr> <th>SIZE</th> <th>A</th> <th>B</th> <th>C</th> </tr> </thead> <tbody> <tr> <td>56÷71</td> <td>145</td> <td>119</td> <td>68</td> </tr> <tr> <td>80÷112</td> <td>145</td> <td>119</td> <td>68</td> </tr> </tbody> </table>	SIZE	A	B	C	56÷71	145	119	68	80÷112	145	119	68	<table border="1"> <thead> <tr> <th>SIZE</th> <th>A</th> <th>B</th> <th>C</th> </tr> </thead> <tbody> <tr> <td>56÷71</td> <td>145</td> <td>119</td> <td>68</td> </tr> <tr> <td>80÷112</td> <td>145</td> <td>119</td> <td>68</td> </tr> </tbody> </table>	SIZE	A	B	C	56÷71	145	119	68	80÷112	145	119	68
SIZE	A	B	C	D	E																																																				
56÷71	155	112	89	75	57																																																				
80÷112	155	112	89	75	57																																																				
SIZE	A	B	C																																																						
56÷71	-	-	-																																																						
80÷112	140	110	60																																																						
SIZE	A	B	C																																																						
56÷71	145	119	68																																																						
80÷112	145	119	68																																																						
SIZE	A	B	C																																																						
56÷71	145	119	68																																																						
80÷112	145	119	68																																																						